

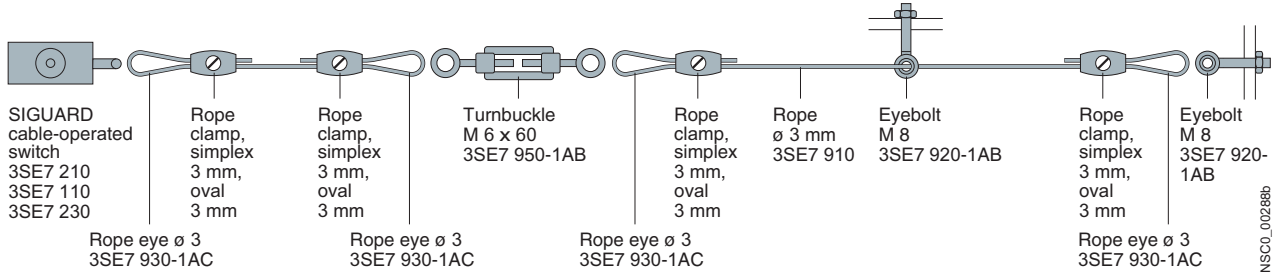
3SE7 Cable-Operated Switches

Metal enclosures

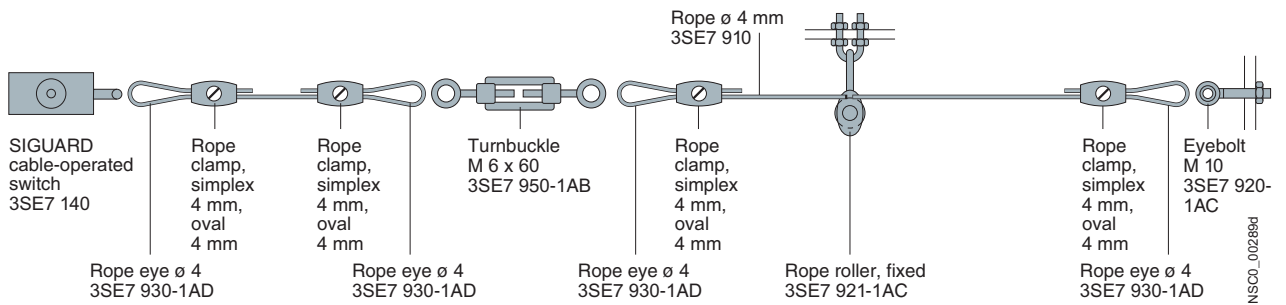
Configuration

Mounting and fixing the cables

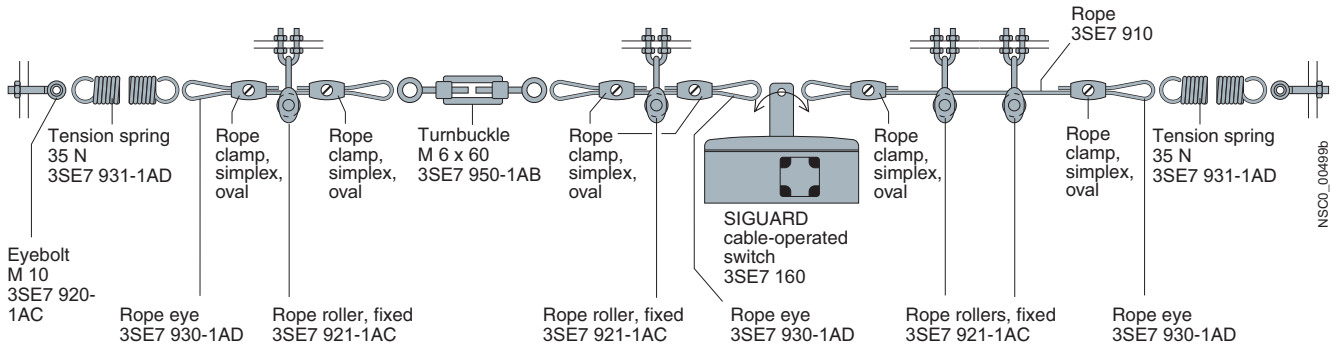
Short lengths of rope up to 25 m



Long lengths of rope up to 50 m



Pulling from both sides up to 2 x 50 m



Use of a tension spring is essential for long sections of rope.