

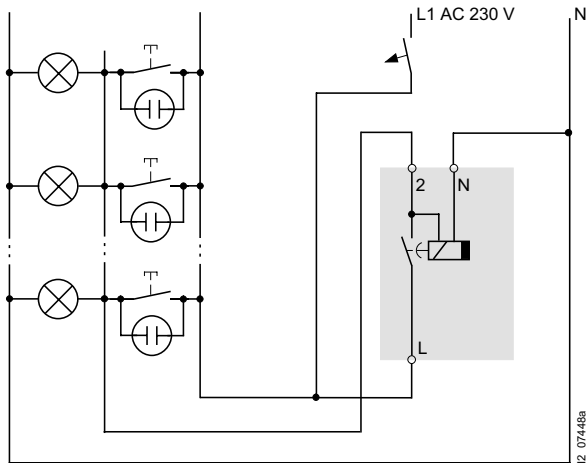
Modular Installation Devices, Mounting Depth 55 mm >N<

Timers

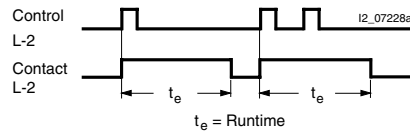
5TT1 3 timers for building lighting

Schematics

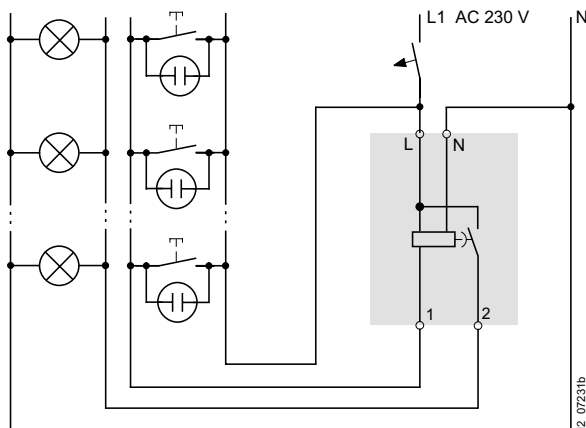
Switching example: 5TT1 310-1 time switch in 3-wire circuit, L-momentary contact



Circuit for new installation with shared cable routing for pushbuttons and lights.
The timer can only be restarted after the set time expires.



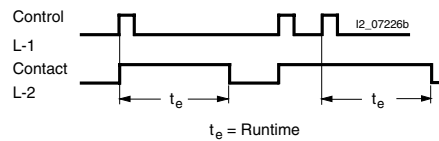
Switching example: 5TT1 311-1 time switch in four-wire connection, L-momentary contact with permanent light and attic circuit



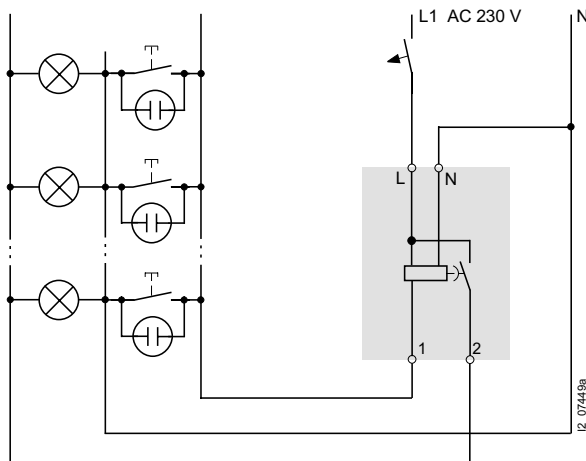
Usual circuit for new installation with separate cable routing for pushbuttons and lights.

The additional DI switch allows external switching to permanent light. A time switch can also be used.

An additional attic circuit is also available, which operates independently of the timer, but on the same electrical circuit. The timer can be restarted before the set time expires.



Switching example: 5TT1 311-1 time switch in 3-wire circuit, N-momentary contact

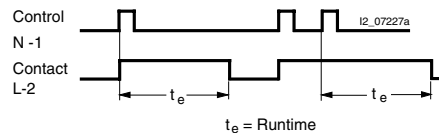


Can only be used with a limited number of wires.

The timer can be restarted before the set time expires.

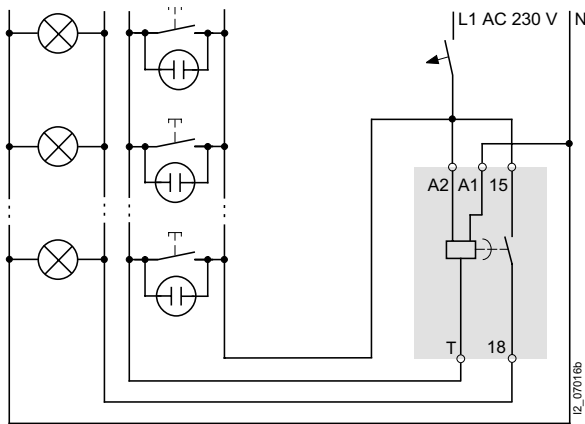
While this 3-wire circuit with N-momentary contact is technically possible, it does not comply with DIN VDE 0110 Part 460.

However, it is used in old systems for replacement purposes.

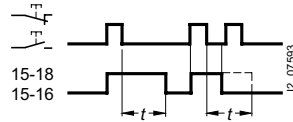


Schematics

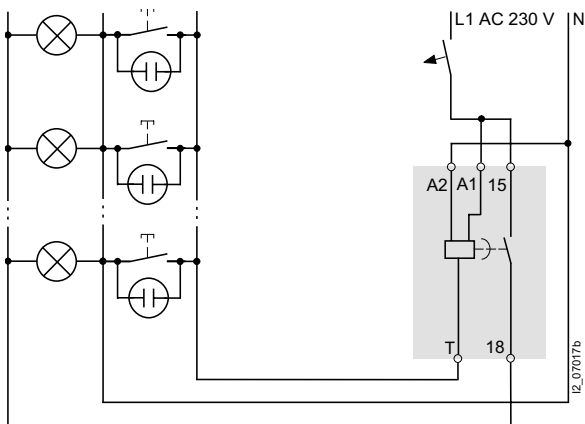
Switching example: 5TT1 300 energy-saving timer in four-wire connection, L-momentary contact



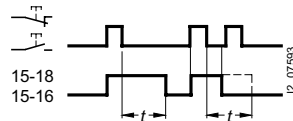
The energy-saving timer switches on if pressed once and switches off at the 2nd press of the button. If it is not switched off manually, it is automatically switched off after the set time, or max. 60 minutes.



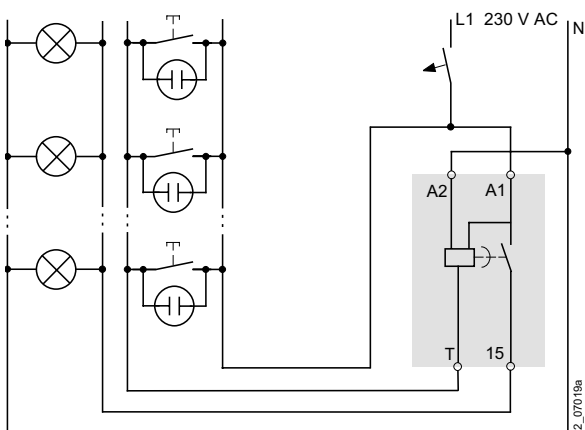
Switching example: 5TT1 300 energy-saving timer in 3-wire circuit, N-momentary contact



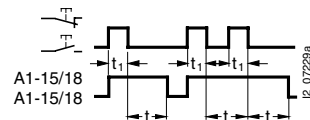
The energy-saving timer switches on if pressed once and switches off at the 2nd press of the button. If it is not switched off manually, it is automatically switched off after the set time, or max. 60 minutes. While this 3-wire circuit with N-momentary contact is technically possible, it does not comply with DIN VDE 0110 Part 460. However, it is used in old systems for replacement purposes.



Switching example: 5TT1 301 lighting time switch in four-wire connection, L-momentary contact



When pressed, the lighting timer switches on for the set runtime, up to 5 minutes. If the switch is pressed for more than one second, the light is switched on for four times the set time, i.e. up to 20 minutes. The last press of the pushbutton is decisive.



Pushbutton < 1 s: short-time up to 5 min.
Pushbutton > 1 s: long-time up to 20 min.