

# Low-Voltage Fuse Systems

## Cylindrical Fuse Systems

Product overview

### Overview

#### Cylindrical fuse links gG



- Rated voltage  $U_n$  400/500 V AC
- Rated current  $I_n$  0.5 ... 100 A
- gG operational class
- Sizes 8 mm x 32 mm, 10 mm x 38 mm, 14 mm x 51 mm and 22 mm x 58 mm

#### Bases for cylindrical fuses



- Rated voltage  $U_n$  400/690 V AC
- Rated current  $I_n$  0.5 ... 100 A
- For sizes 8 mm x 32 mm, 10 mm x 38 mm, 14 mm x 51 mm and 22 mm x 58 mm
- Versions with signal detector
- Optional mountable auxiliary circuit switch (for sizes 14 x 51, 22 x 58)

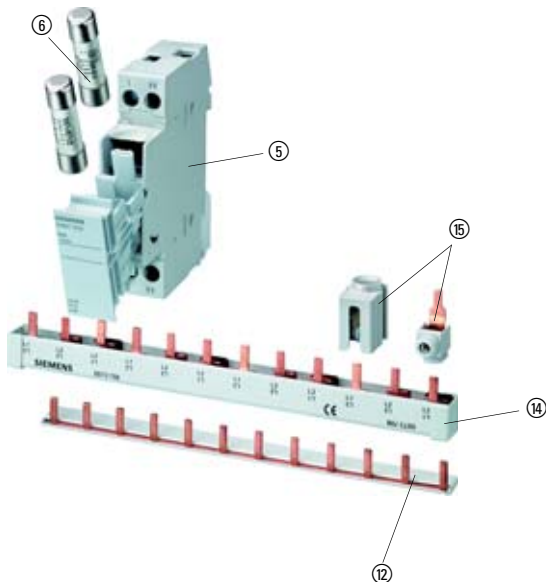
# Low-Voltage Fuse Systems

## Cylindrical Fuse Systems

### Product overview

#### Overview

#### New cylinder fuse bases 8 x 32 and 10 x 38



- Mounting depth 70 mm
- Touch-protected to BGV A3 (VBG4)
- Size 8 x 32 and 10 x 38
- For rail mounting
- Anti-slip terminal at ingoing and outgoing feeder
- For busbar mounting
- Sealable fuse holder
- With draw-out technology for safe, no-voltage changing of fuse links

⑤ **Cylinder fuse bases, size 8 x 32 and 10 x 38**

⑥ Cylindrical fuse link 8 x 32 or 10 x 38

⑫ Busbar, 1-pole for L or N

⑭ Busbar, 3-pole

⑮ Terminals (optional)