

Low-Voltage Fuse Systems

LV HRC Fuse Systems

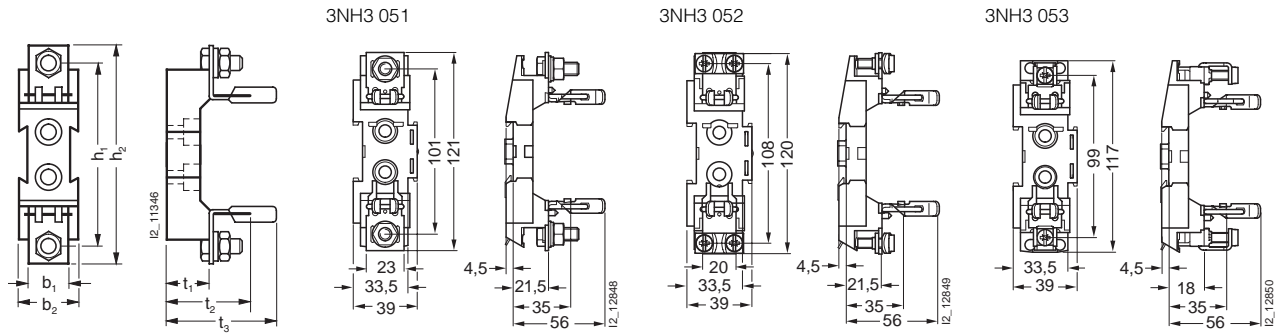
LV HRC fuse bases

Dimensional drawings

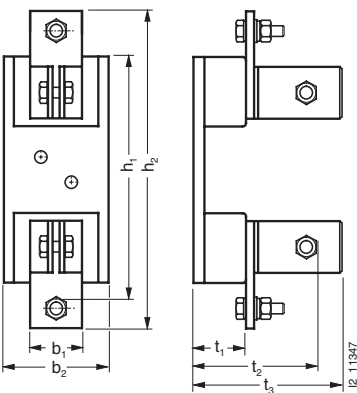
LV HRC fuse bases

1- and 3-pole

Size 000/00 to 3



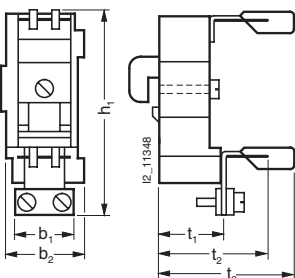
Size 4¹⁾



Sizes	I_n	Number of poles	Connection	Type	Dimensions						
					b_1	b_2	h_1	h_2	t_1	t_2	t_3
000/00	160	1	M8 plug connection	3NH3 0..	30	34	102	122	24	40	60
			Saddle-type terminal connections		29						
			Flat connection		23						
		3	M8 plug connection	3NH4 0..	30	102	24	40	60		
			Saddle-type terminal connections		29						
			Flat connection		23						
1	Saddle-type terminal connections	LV HRC bus mounting base ²⁾	29	37	-	95	28	44	64		
	Terminal strip		26							102	
0	160	1	Flat connection	3NH3 1..	23	38	150	173	24	39	60
			Plug connection		30						
1	250	1	M10 flat connection	3NH3 2..	35	49	177	201	35	55	84
			Double busbar connection								
		3	M10 flat connection	3NH4 2..	163						
2	400	1	M10 flat connection	3NH3 3..	35	49	202	226	35	55	90
			Double busbar connection								
3	630	1	M12 flat connection	3NH3 4..	35	49	212	241	35	55	101
			Double busbar connection								
4	1250	1	M12 flat connection	3NH3 5..	50	102	270	max. 307	51	116 ¹⁾	144
4a	can only be used in bases with slewing equipment										

LV HRC bus-mounting base²⁾

1-pole

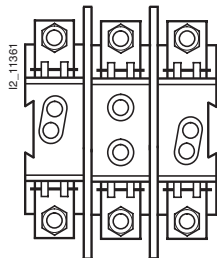


¹⁾ Size 4 LV HRC fuse links are also screwed onto the base.

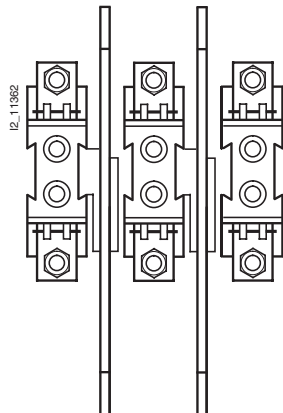
²⁾ LV HRC bus-mounting bases are only connected on one side using terminals, the second connection is made through the bottom of the base.

Space requirements when installing LV HRC fuse bases

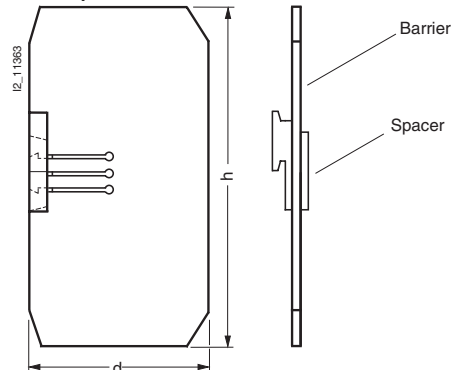
1-piece LV HRC fuse base, 3-pole



3-piece LV HRC fuse base, 1-pole



LV HRC phase barrier



Sizes	Mounting width (mm) of LV HRC fuse bases					Mounting height (mm)	Mounting depth (mm)	
	1 piece, 3-pole		3 piece, 1-pole		Distance through spacer			3NX2 0.. partitions with matching bases ²⁾
	Base with intermediate phase barrier, without side phase barrier	Base with intermediate and 2 side phase barriers	Base with intermediate phase barrier, without side phase barrier	Base with intermediate and 2 side phase barriers				
000/00	102	106	100	104 ¹⁾	2	138	86	
	LV HRC bus-mounting base see page 1/78 and page 1/82.					–	90	
0	–	–	128	142	7	178	90	
1	163	177	158	172	7	202	110	
2	–	–	184	224	20	227	118	
3	–	–	208	272	32	242	132	
4	Installation without barriers; for mounting see page 1/80 and page 1/81.						n/a	
4a	can only be used in bases with slewing equipment						n/a	

1) Placing an additional base on the barrier and plug-on part does not increase the distance, rather the bases lie flat directly on top of one another.

2) This measurement specifies the required overall mounting depth with base d and the overall mounting height h.

3) If the bases are installed directly on a side wall in the distribution board, one spacer part can be broken off. This would reduce the distance measurement.

Low-Voltage Fuse Systems

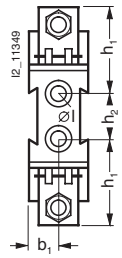
LV HRC Fuse Systems

LV HRC fuse bases

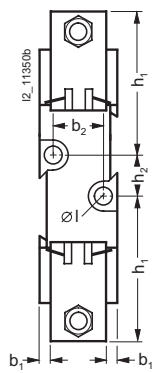
Drill hole dimensions for base plate mounting

LV HRC fuse bases 1-pole

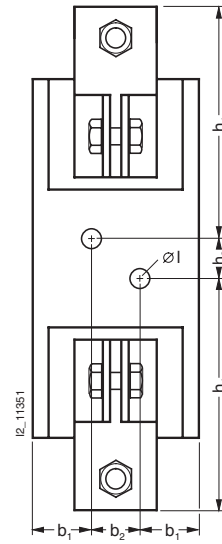
Sizes
000/00 and 0



Sizes
1 to 3

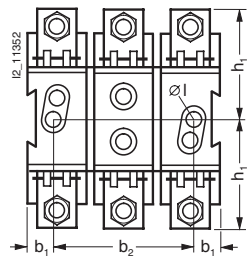


Size
4

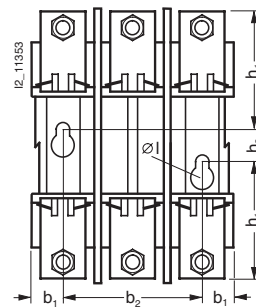


LV HRC fuse bases 3-pole

Size 000/00



Size 1



Sizes	Type	Dimensions				
		b ₁	b ₂	h ₁	h ₂	l
000/00	3NH3 0..	17	–	48	25	7.5
0	3NH3 1..	19	–	74	25	7.5
1	3NH3 2..	9	30	88	25	10.5
2	3NH3 3..	9	30	100	25	10.5
3	3NH3 4..	9	30	108	25	10.5
4	3NH3 530	36	30	141	25	13

Sizes	Type	Dimensions				
		b ₁	b ₂	h ₁	h ₂	l
000/00	3NH4 0..	15	70	46	–	7.5
1	3NH4 230	26	110.5	88	25	10

Low-Voltage Fuse Systems

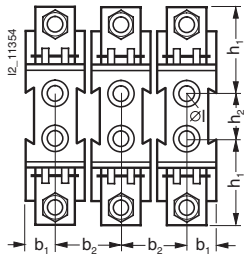
LV HRC Fuse Systems

LV HRC fuse bases

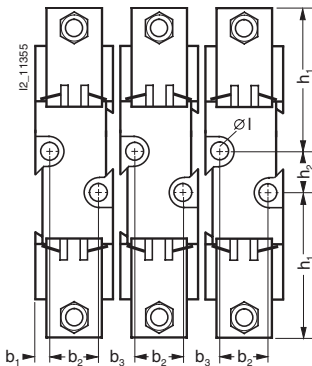
Drill hole dimensions for base plate mounting

LV HRC fuse bases, 3-piece, 1-pole

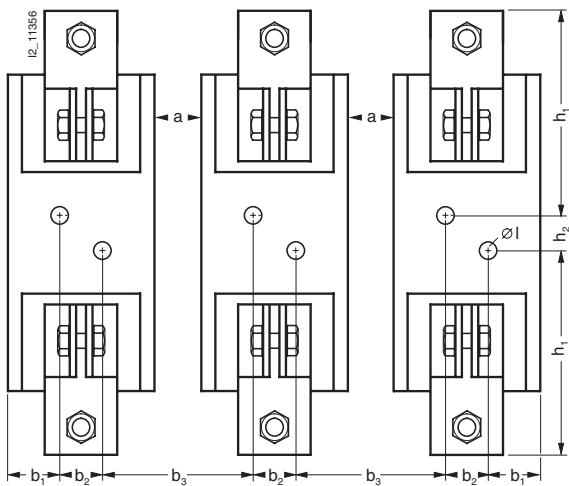
Sizes 000/00 and 0



Sizes 1, 2 and 3



Size 4



Sizes	Type	Dimensions					
		b ₁	b ₂	b ₃	h ₁	h ₂	l
000/00	3NH3 0..	17	34	–	48	25.5	7.5
0	3NH3 1..	19	45	–	74	25	7.5
1	3NH3 2..	9	30	25.5	88	25	10.5
2	3NH3 3..	9	30	38.5	100	25	10.5
3	3NH3 4..	9	30	50.5	108	25	10.5
4	3NH3 530	36	30	95	141	25	13

Note:
These LV HRC fuse bases are mounted without phase barriers.
A minimum clearance of a = 25 mm is required.

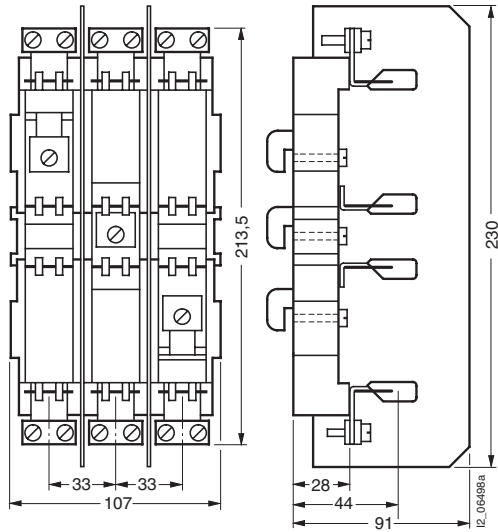
Low-Voltage Fuse Systems

LV HRC Fuse Systems

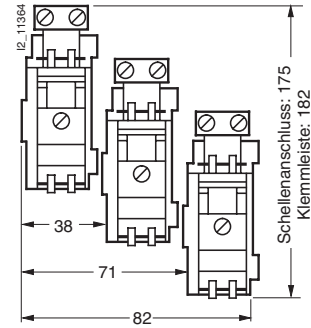
LV HRC fuse bases

LV HRC bus-mounting bases in tandem design

Busbar center-to-center clearance 40 mm
3NH4 037, 3NH4 045

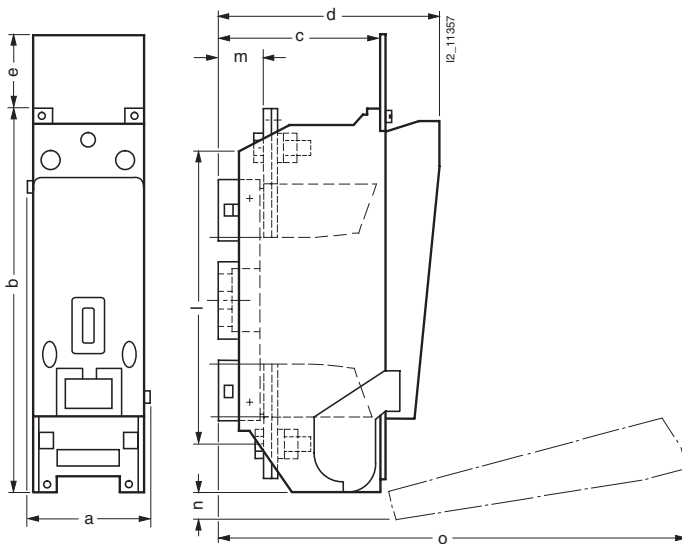


Space requirements for 3-piece, 1-pole LV HRC bus-mounting bases, staggered



LV HRC fuse bases with slewing equipment, 1-pole

Sizes 000/00 to 4a

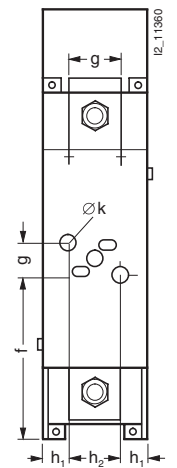
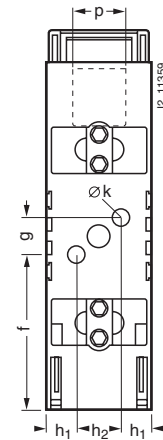
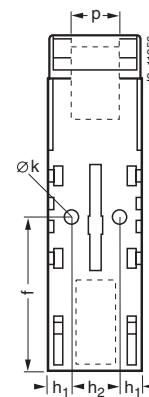


Drill hole dimensions for base plate mounting

Size 000/00

Sizes 1 and 2/3

Size 4a



Sizes	I_n	Type	Dimensions														
	A		a	b	c	d	e	f	g	h ₁	h ₂	k	l	m	n	o	p
000/00	160	3NH7 03.	44	149	45	88.5	22.5	79	–	9.5	25	7	120	17	18	200	20
1	250	3NH7 23.	68	230	68	123.5	23	102.5	25	19	30	10.5	177	25	40	300	25
2/3	630	3NH7 33.	90	270	96	153.5	15.5	122.5	25	30	30	10.5	220.5	30.5	35	350	40
4a	1250	3NH7 520	116	350	154.5	217.5	69	170	30	31.5	45	13	270	40	26	440	50

Low-Voltage Fuse Systems

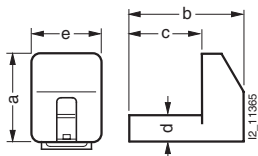
LV HRC Fuse Systems

LV HRC fuse bases

Mounting parts for LV HRC fuse bases

LV HRC contact covers

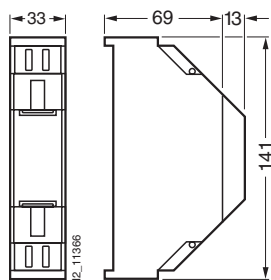
Sizes 000/00 to 3, 3NX3 10



Sizes	Type	Dimensions				
		a	b	c	d	e
000/00	3NX3 105	38	47.5	34	11.5	30
1	3NX3 106	61.5	57	42.5	35	46
2	3NX3 107	74	65	51	35	46
3	3NX3 108	81.5	77.5	57.5	35	46

3NX3 115 LV HRC protective cover, with 3NX3 116 LV HRC cover

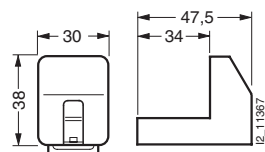
Size 000/00, degree of protection IP2X



Mounting parts for LV HRC bus-mounting bases

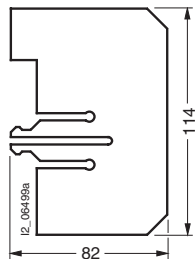
LV HRC contact covers

for 1-pole version and tandem design, 3NX3 105

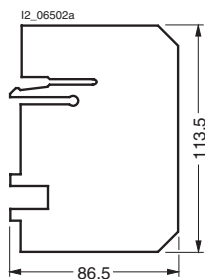


LV HRC partitions

Phase barrier 3NX2 027

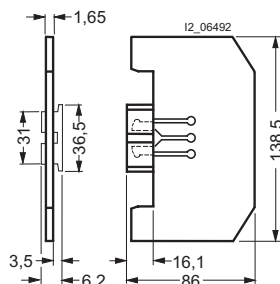


End barrier 3NX2 028

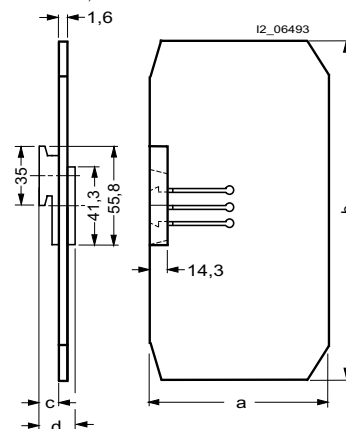


LV HRC partitions

Size 000/00 3NX3 023



Sizes 0 to 3 3NX2 030, 3NX2 024 to 3NX2 026

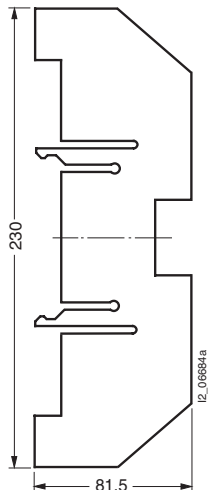


Sizes	Type	Dimensions			
		a	b	c	d
0	3NX2 030	87.6	178.5	7.7	12.3
1	3NX2 024	107.3	202.5	7.7	12.3
2	3NX2 025	115.3	227.5	14.2	25.1
3	3NX2 026	129.8	242	20.2	37.2

3-pole, 3NX3 113



continuous, for LV HRC fuse bases in tandem design 3NX2 031



Low-Voltage Fuse Systems

LV HRC Fuse Systems

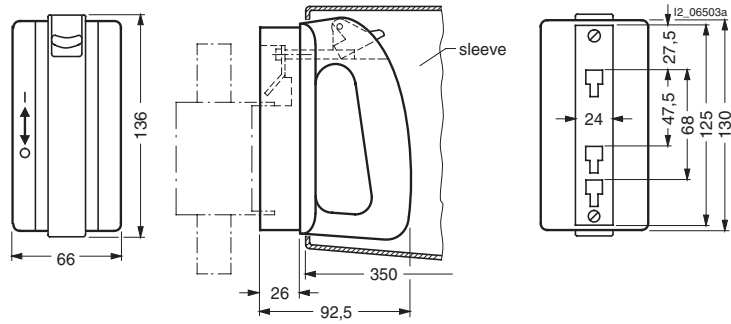
LV HRC fuse bases

Mounting parts for LV HRC fuses

Fuse puller

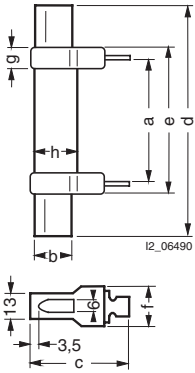
Sizes 000 to 4

3NX1 013 (without sleeve), 3NX1 014 (with sleeve)



Isolating links

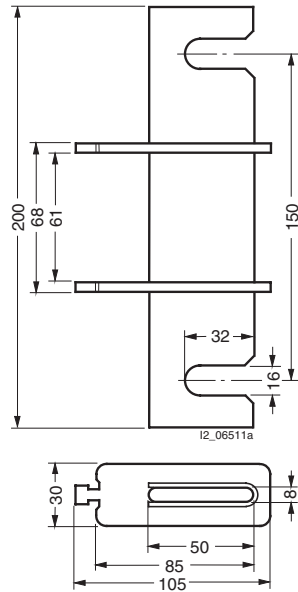
with insulated grip lugs, sizes 000/00 to 3
3NG1 .02



Sizes	Type	Dimensions							
		a	b	c	d	e	f	g	h
000/00	3NG1 002	44	15	48	78	54	20.5	8	19
0	3NG1 102	60.5	15	48	125	68	20.5	8	19
1	3NG1 202	61	20	53	135	72	23	9	24
2	3NG1 302	61	26	61	150	72	23	9	29
3	3NG1 402	61	32	73	150	72	23	9	36

Isolating links with non-insulated grip lugs

Size 4
3NG1 503



Size 4a
3NG1 505

