

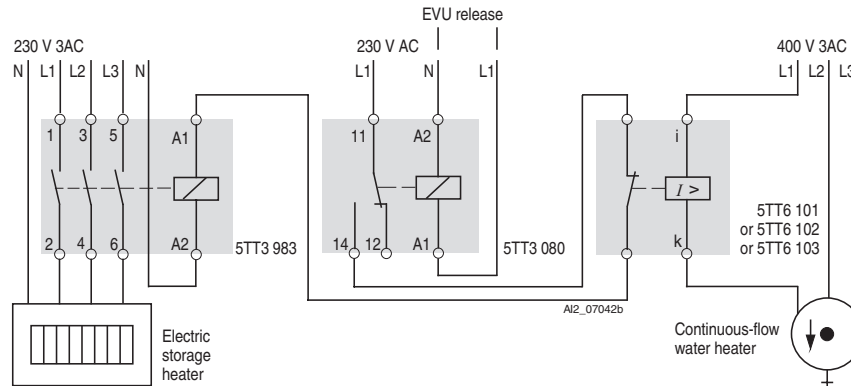
### Schematics

#### Circuit diagram

5TT6 101  
5TT6 102  
5TT6 103



#### Switching example: 5TT6 10



In mixed operation of electric hot water and electric storage heaters, the priority switch interrupts the charging procedure of the storage heater if hot water is required during the low-tariff time, thus limiting the connected load.