

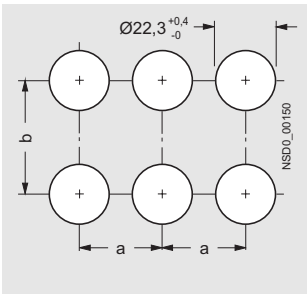
3SB3 Pushbutton Units and Indicator Lights, 22 mm

Project planning aids

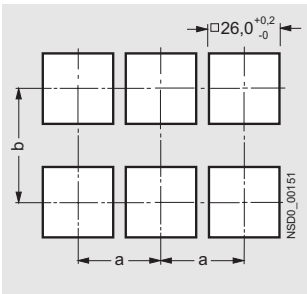
Dimensional drawings

Mounting dimensions

Round version



Square version



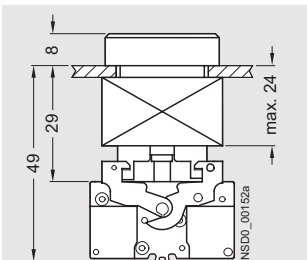
Minimum distance

	a	b
Contact blocks (1 contact) and lampholder		
• For front plate mounting, with screw terminals	30 ¹⁾	45
• For front plate mounting, with spring-loaded terminals	30 ¹⁾	30 ¹⁾
• For use on PCB, with solder pin connections	30 ¹⁾	30 ¹⁾
Contact blocks with 2 contacts		
• For front plate mounting	30 ¹⁾	50
When using holders for labeling plates		
• 12,5 mm × 27 mm	30 ¹⁾	45 ²⁾
• 27,0 mm × 27 mm	30 ¹⁾	60

1) For mushroom pushbutton, EMERGENCY-STOP and push-pull button:
Note mushroom diameter d = 40 mm or 60 mm.
2) 60 mm with contact blocks having two contacts.

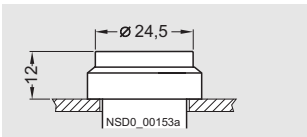
Molded-plastic version, round

Pushbuttons and switches, illuminated pushbuttons or illuminated switches with flat button

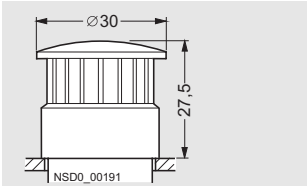


With single-pole contact block (and lampholder)

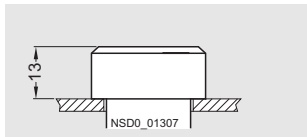
Pushbutton or illuminated pushbutton with raised button



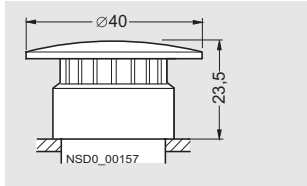
Mushroom pushbutton, illuminated mushroom pushbutton, push-pull-button or illuminated push-pull-button, Ø 30 mm



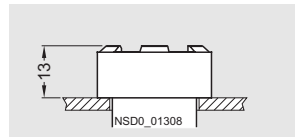
Pushbutton with raised front ring



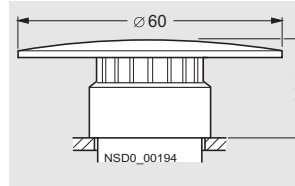
Mushroom pushbutton, illuminated mushroom pushbutton, push-pull-button or illuminated push-pull-button, Ø 40 mm



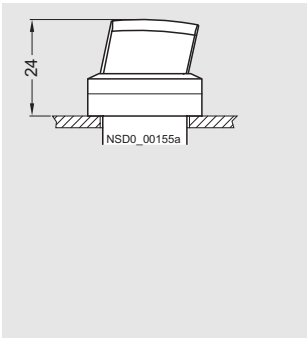
Pushbutton with raised front ring, castellated



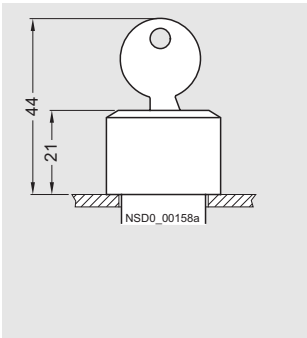
Mushroom pushbutton, illuminated mushroom pushbutton, push-pull-button or illuminated push-pull-button, Ø 60 mm



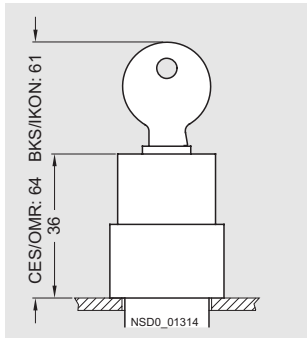
Selector switch or illuminated selector switch



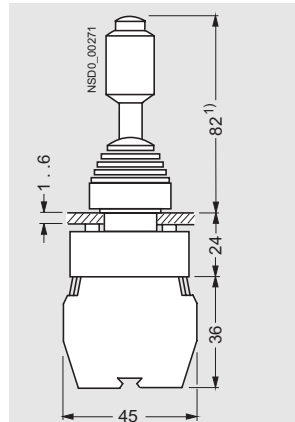
RONIS key-operated switches



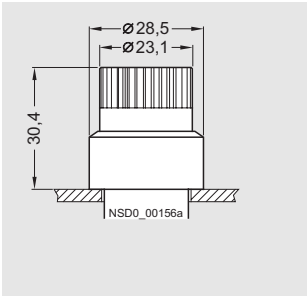
BKS, CES, IKON, O.M.R. key-operated switch



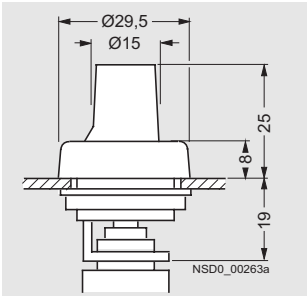
Joystick switch



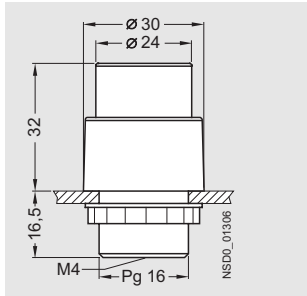
Pushbutton with raised button, latchable



Actuator for potentiometer with shaft Ø 6 mm, 30 ... 32 mm long



Pushbutton with extended stroke



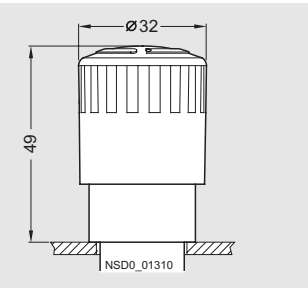
1) 82 with mechanical interlock, 77 without mechanical interlock.

3SB3 Pushbutton Units and Indicator Lights, 22 mm

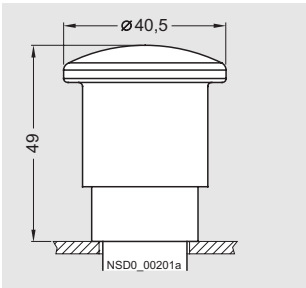
Project planning aids

Molded-plastic version, round

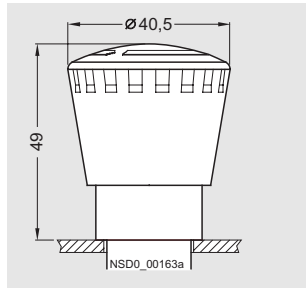
EMERGENCY-STOP mushroom pushbutton,
 Ø 32 mm, with rotate-to-unlatch mechanism



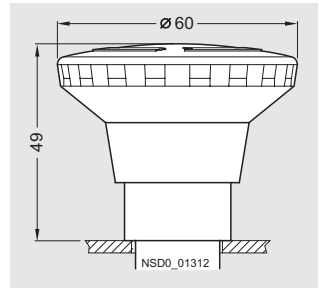
EMERGENCY-STOP mushroom pushbutton,
 Ø 40 mm, with pull-to-unlatch mechanism



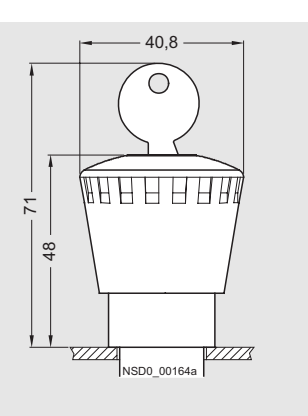
EMERGENCY-STOP mushroom pushbutton,
 Ø 40 mm, with rotate-to-unlatch mechanism



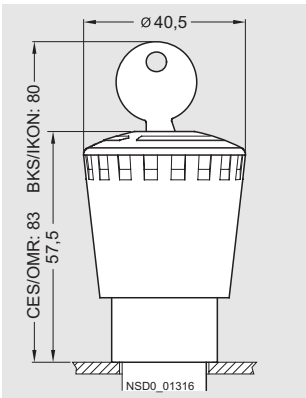
EMERGENCY-STOP mushroom pushbutton,
 Ø 60 mm, with rotate-to-unlatch mechanism



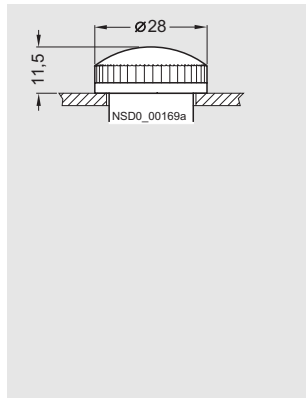
EMERGENCY-STOP mushroom pushbutton
 with RONIS key-operated switch



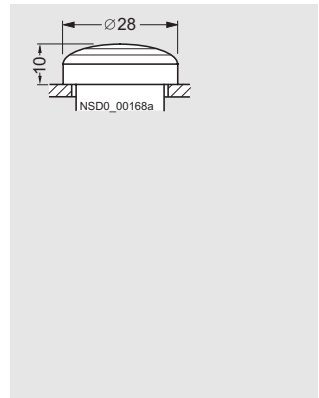
EMERGENCY-STOP mushroom pushbutton
 with BKS, CES, IKON, O.M.R.
 key-operated switch



Indicator lights

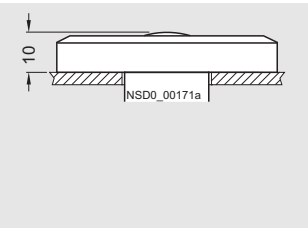


Acoustic signal device

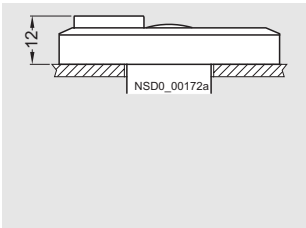


Twin pushbutton (round feed-through opening)

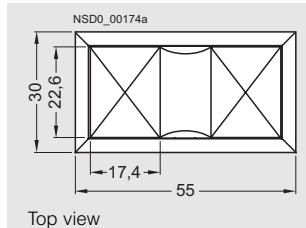
Twin pushbutton,
 with flat buttons



Twin pushbutton,
 with raised buttons

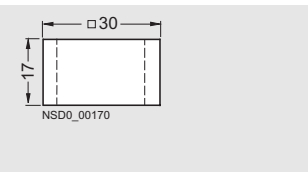


Twin pushbutton
 with or without indicator light

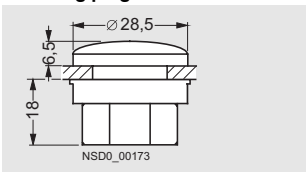


Accessories for plastic version, round

Holders



Blanking plug

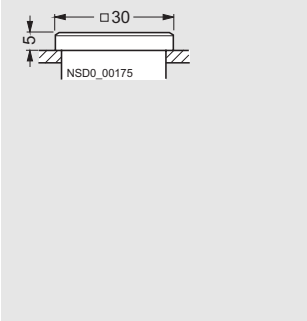


3SB3 Pushbutton Units and Indicator Lights, 22 mm

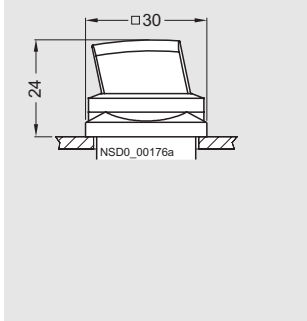
Project planning aids

Plastic version, square

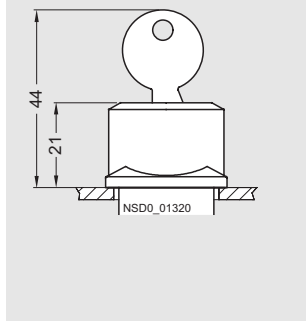
Pushbuttons and switches, illuminated pushbuttons or illuminated switches with flat button



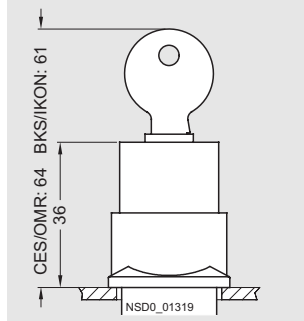
Selector switch or illuminated selector switch



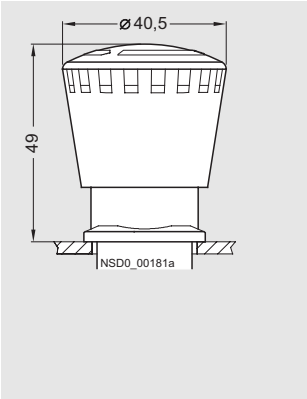
RONIS key-operated switches



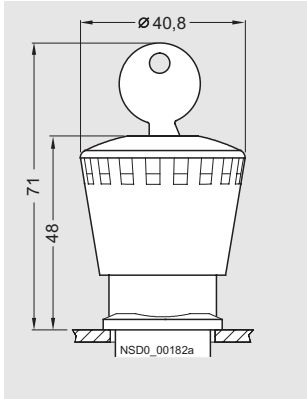
BKS, CES, IKON, O.M.R. key-operated switch



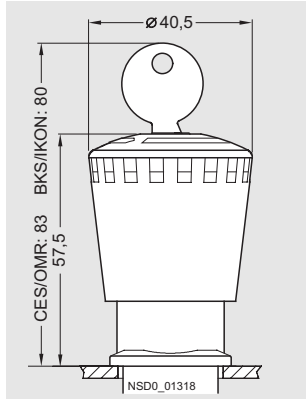
EMERGENCY-STOP mushroom pushbutton with rotate-to-unlatch mechanism



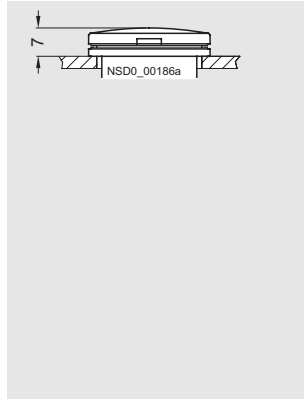
EMERGENCY-STOP mushroom pushbutton with RONIS key-operated switch



EMERGENCY-STOP mushroom pushbutton with BKS, CES, IKON, O.M.R. key-operated switch

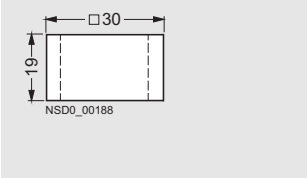


Indicator lights

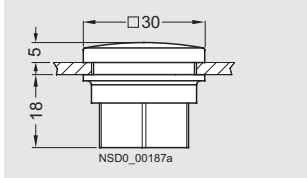


Accessories for plastic version, square

Holders

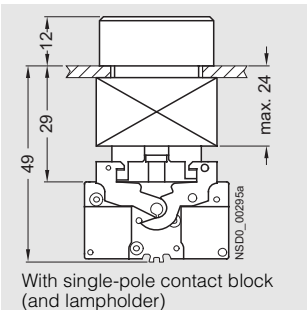


Blanking plug

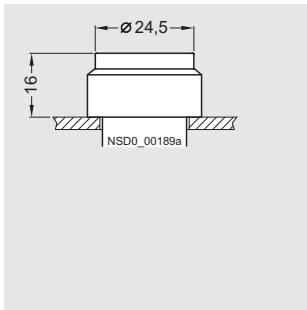


Metal version, round

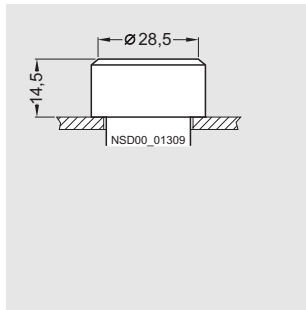
Pushbutton or illuminated pushbutton with flat button



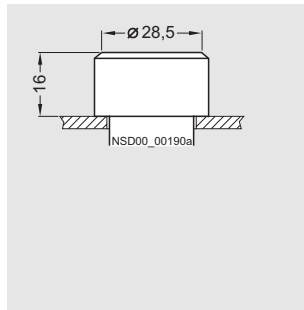
Pushbutton or illuminated pushbutton with raised button



Pushbutton or illuminated pushbutton, latching, with flat button



Pushbutton with raised front ring

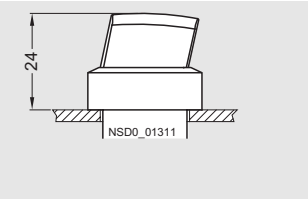


3SB3 Pushbutton Units and Indicator Lights, 22 mm

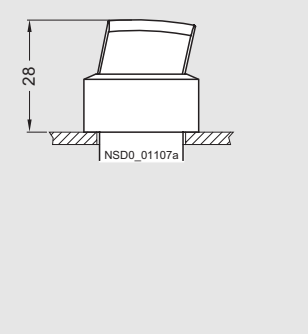
Project planning aids

Metal version, round

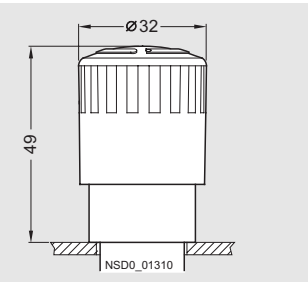
Selector switch or illuminated selector switch, standard



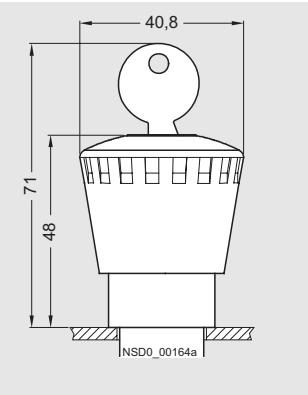
Selector switch or illuminated selector switch, heavy duty



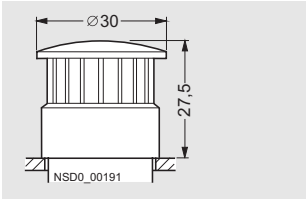
EMERGENCY-STOP mushroom pushbutton, Ø 32 mm, with rotate-to-unlatch mechanism



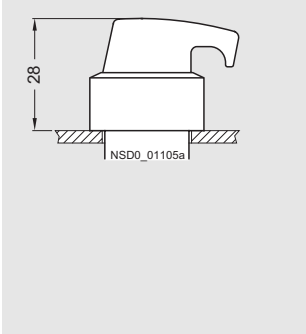
EMERGENCY-STOP mushroom pushbutton with RONIS key-operated switch



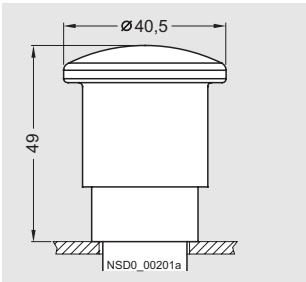
Mushroom pushbutton, illuminated mushroom pushbutton, push-pull-button or illuminated push-pull-button, Ø 30 mm



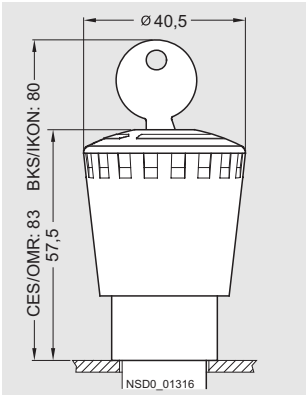
Selector switch or illuminated selector switch, with long handle



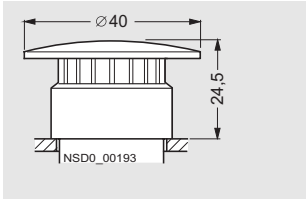
EMERGENCY-STOP mushroom pushbutton, Ø 40 mm, with pull-to-unlatch mechanism



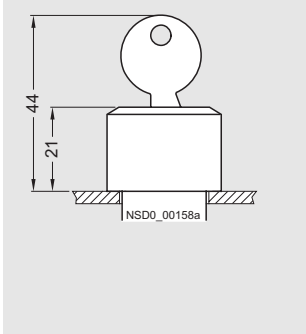
EMERGENCY-STOP mushroom pushbutton with BKS, CES, IKON, O.M.R. key-operated switch



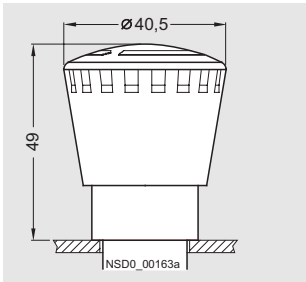
Mushroom pushbutton, illuminated mushroom pushbutton, push-pull-button or illuminated push-pull-button, Ø 40 mm



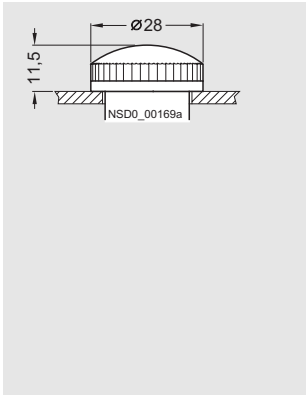
RONIS key-operated switches



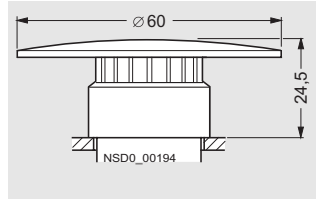
EMERGENCY-STOP mushroom pushbutton, Ø 40 mm, with rotate-to-unlatch mechanism



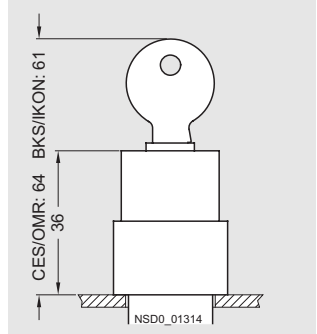
Indicator lights



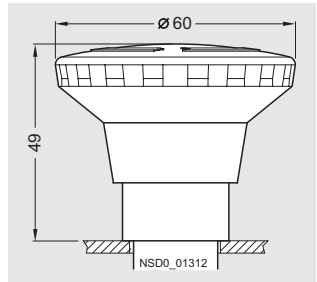
Mushroom pushbutton, illuminated mushroom pushbutton, push-pull-button or illuminated push-pull-button, Ø 60 mm



BKS, CES, IKON, O.M.R. key-operated switch

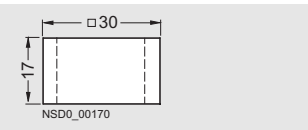


EMERGENCY-STOP mushroom pushbutton, Ø 60 mm, with rotate-to-unlatch mechanism



Accessories for metal version, round

Holders



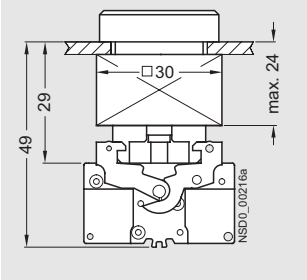
3SB3 Pushbutton Units and Indicator Lights, 22 mm

Project planning aids

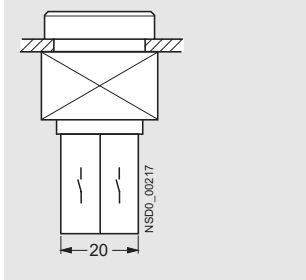
Contact blocks and lampholders

Blocks with screw terminal, for front plate mounting

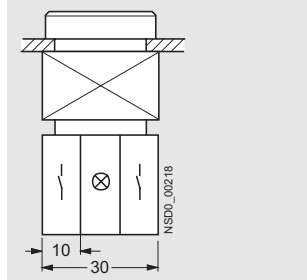
Pushbutton or illuminated pushbutton with contact blocks with 1 contact



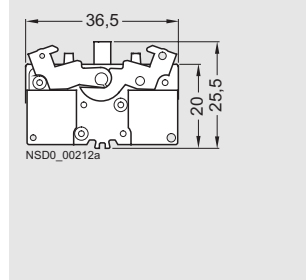
Pushbutton with contact blocks with 1 contact



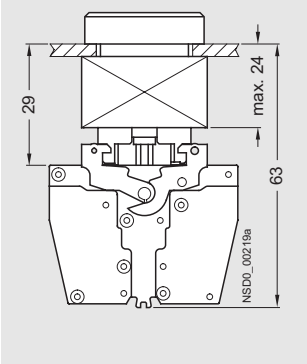
Illuminated pushbutton with contact blocks with 1 contact and lampholder



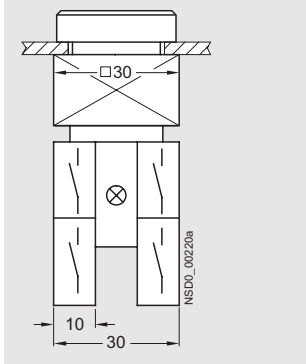
Contact block with 1 contact



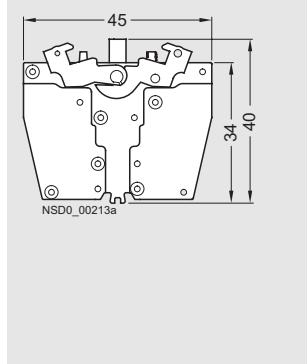
Pushbutton or illuminated pushbutton with contact blocks with 2 contacts



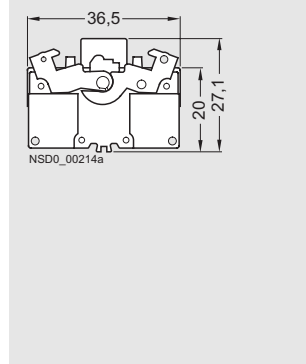
Illuminated pushbutton with contact blocks with 2 contacts and lampholder



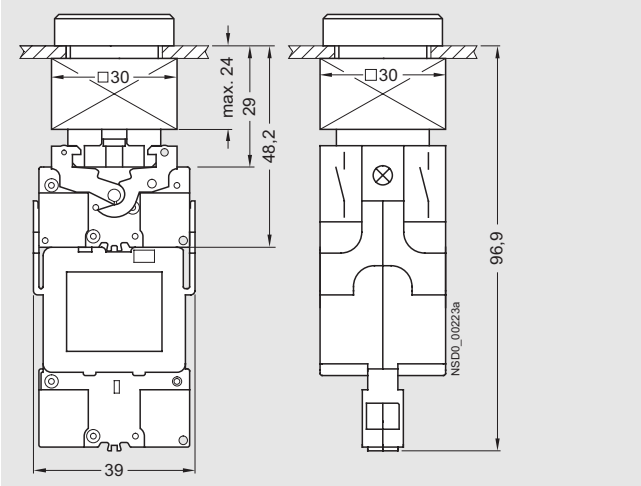
Contact block with 2 contacts, diode element



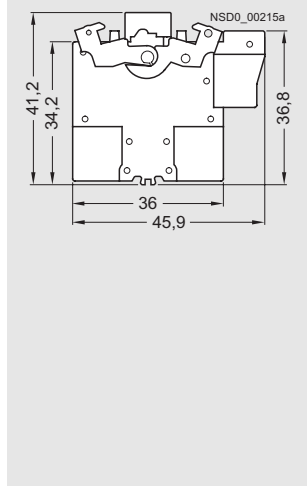
BA 9s lampholder without or with integrated voltage reducer



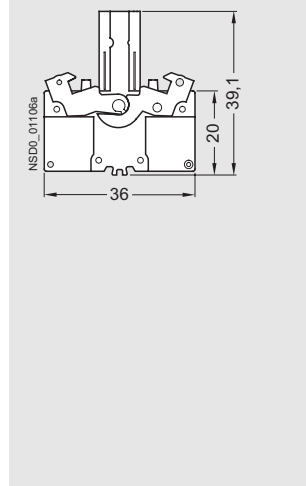
Illuminated pushbutton with contact blocks with 1 contact and lampholder with snapped-on transformer



BA 9s lampholder with separate lamp test function

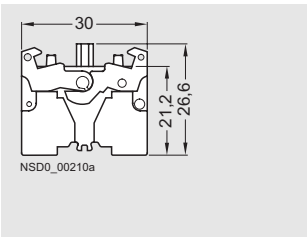


Lampholder with integrated LED

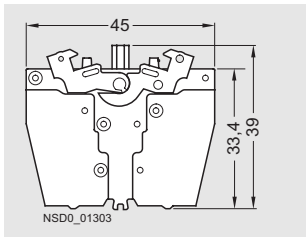


Blocks with spring-loaded terminal, for front plate mounting

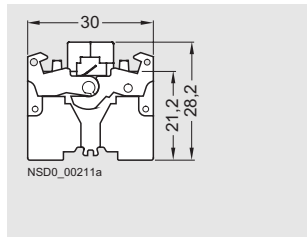
Contact block with 1 contact



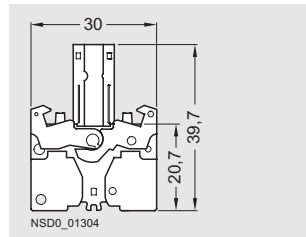
Contact block with 2 contacts



BA 9s lampholder



Lampholder with integrated LED

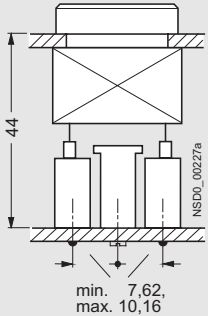


3SB3 Pushbutton Units and Indicator Lights, 22 mm

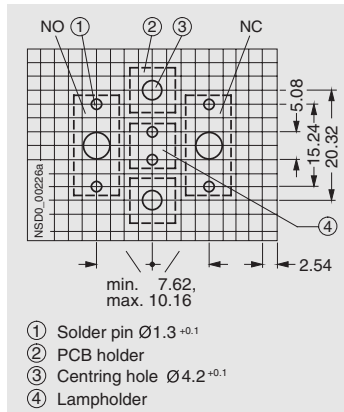
Project planning aids

Blocks with solder pins, for use on PCB

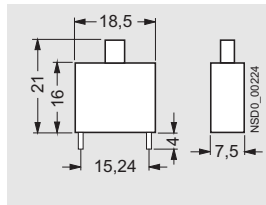
Pushbutton with contact block with 1 contact and PCB holder



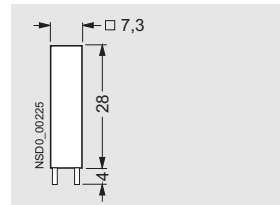
Solder pin spacing



Contact block with 1 contact

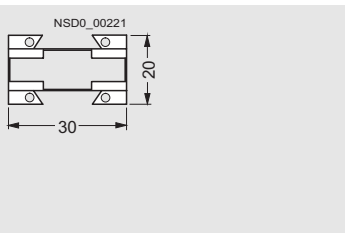


Lampholders Wedge base W2 x 4.6 d

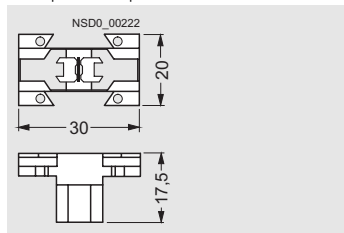


Holder for mounting 3 elements

Holder for pushbuttons

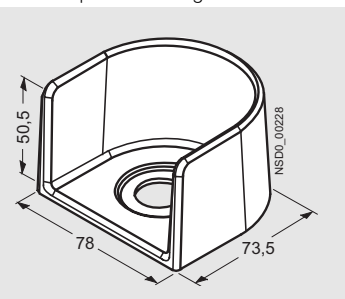


Holder for selector switch, key-operated switch and twin pushbutton, with pressure plate

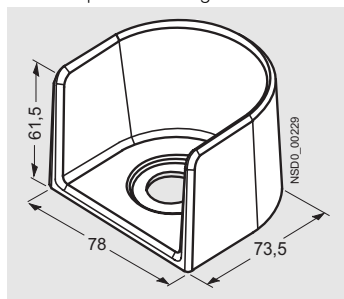


Accessories for front plates

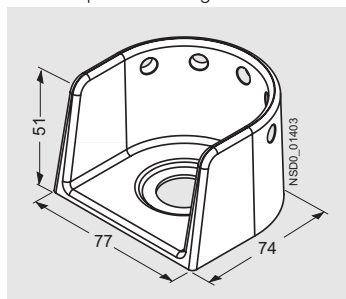
3SB39 21-0AK, -0AP protective collars
For EMERGENCY-STOP mushroom pushbuttons without key-operated switch
For front plate mounting¹⁾



3SB39 21-0AX protective collars
For EMERGENCY-STOP mushroom pushbuttons with key-operated switch
For front plate mounting¹⁾



3SB39 21-0CG protective collars
For mushroom pushbuttons, for 5 padlocks
For front plate mounting¹⁾



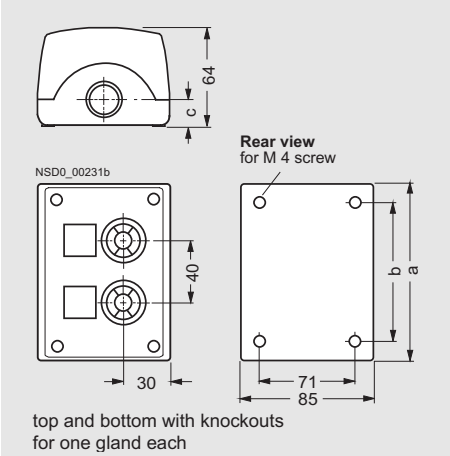
¹⁾ Can be used with a front plate thickness up to 4 mm.

3SB3 Pushbutton Units and Indicator Lights, 22 mm

Project planning aids

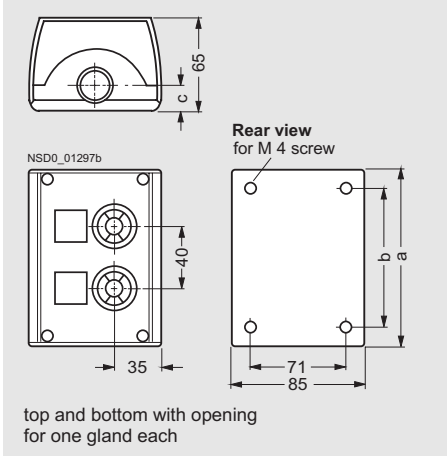
Enclosures

Enclosure without protective collar, molded plastic



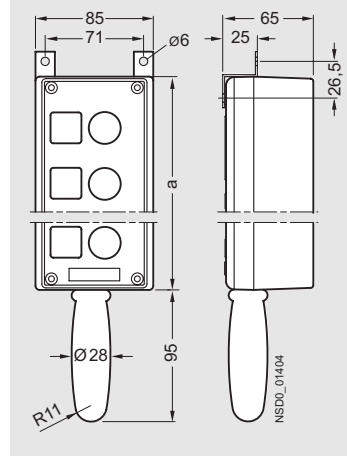
Number of command positions	Length a	Distance b	Distance c
1	85	54	17.5
2	114	83	17.5
3	154	123	17.5
4	194	163	17.5
6	280	249	20.5

Enclosure without protective collar, metal



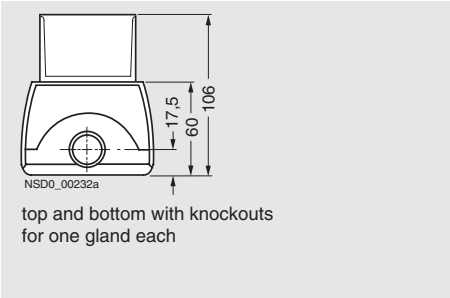
Number of command positions	Length a	Distance b	Distance c
1	85	54	21
2	114	83	21
3	154	123	21
4	194	163	21
6	280	249	21

Enclosure with handle, metal

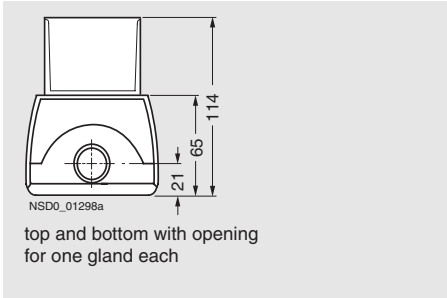


Number of command positions	Length a
1	84
2	113
3	154
4	193
6	280

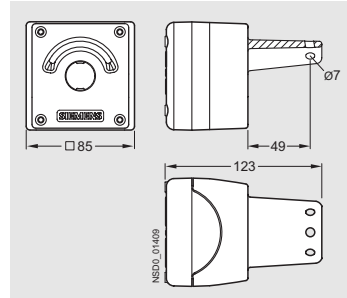
Enclosure with protective collar, molded plastic



Enclosure with protective collar, metal

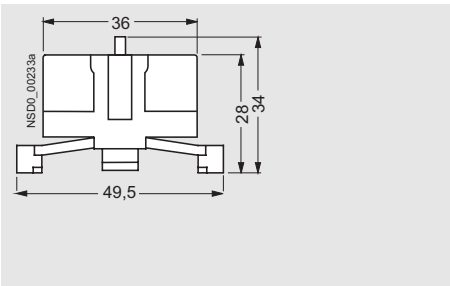


Enclosure with protective collar for 3 padlocks, metal

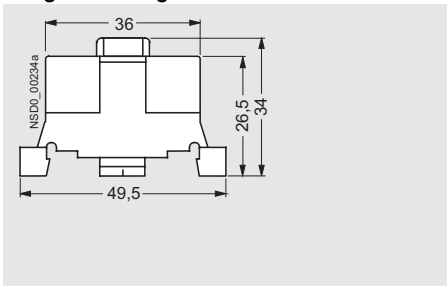


Blocks with screw terminals, for floor mounting

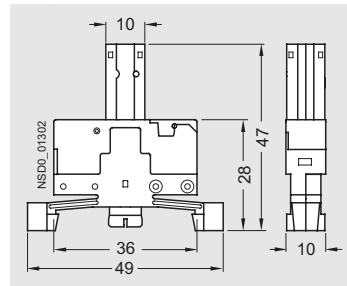
Contact block with 1 contact



BA 9s lampholder without or with integrated voltage reducer

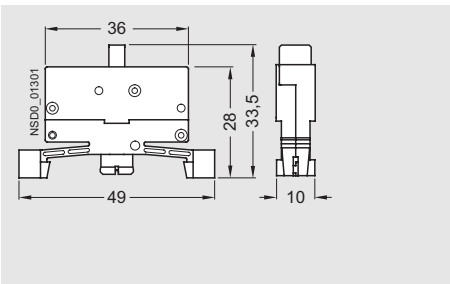


Lampholder with integrated LED

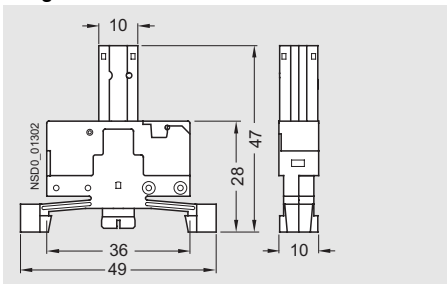


Blocks with spring-loaded terminals, for floor mounting

Contact block with 1 contact



Lampholder with integrated LED



Fixpoint terminal

