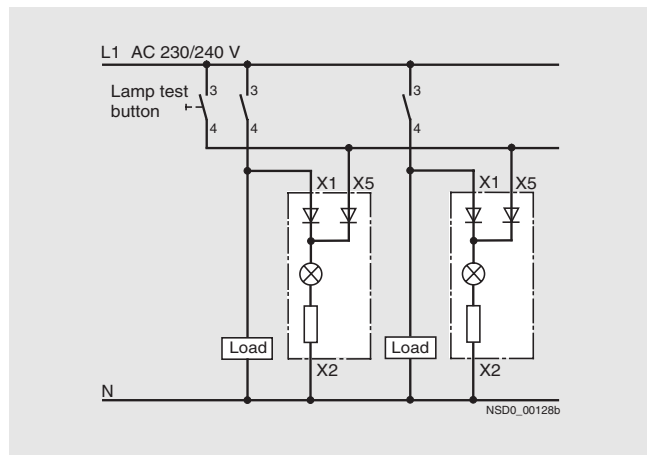
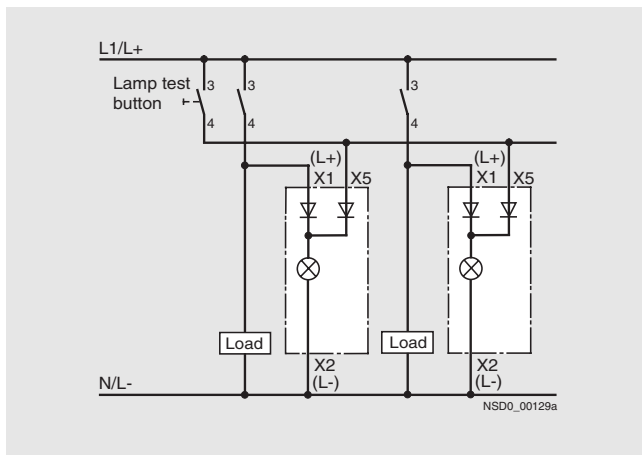


Schematics

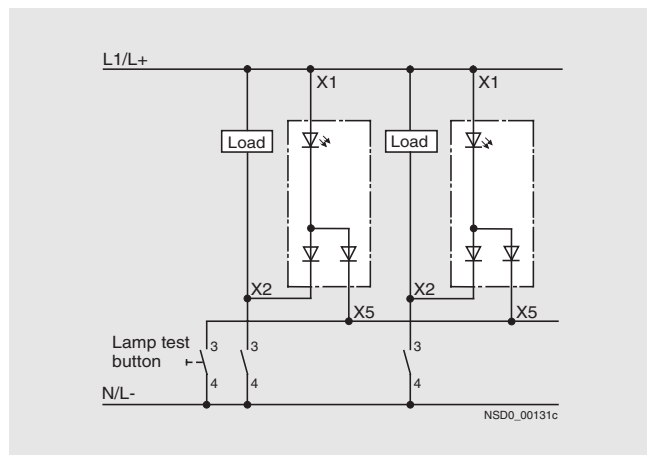
Application examples of test circuits



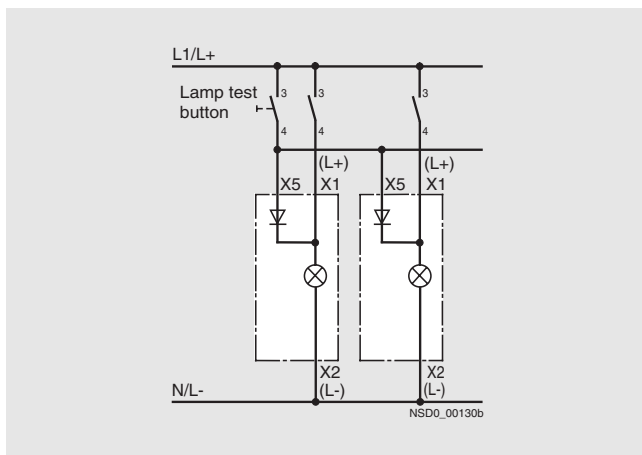
3SB34 00-1F lampholder
incl. 130 V incandescent lamp



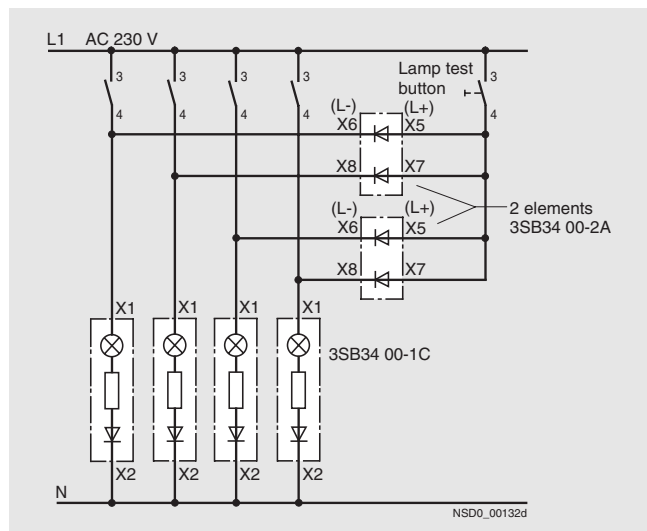
3SB34 00-1G lampholder
for incandescent lamps, maximum 2.6 W or LED lamps, AC/DC



3SB34 00-1L lampholder
for incandescent lamps, maximum 2.6 W or LED lamps, AC or DC



3SB34 00-1H lampholder
for incandescent lamps, maximum 2.6 W or glow lamps, AC



Example for lamp test circuit with 3SB34 00-2A element

Application examples for 3SB34 00-2A diode elements

- Lamp test circuit
- Interference suppression
- Limiting voltage peaks
- Limiting DC coils
- Diode gates
- Rectifier circuits.

The diode element contains two 1N 4007 diodes. The element can be snapped onto the holder as required.

Notes on using the lampholders with separate lamp test function

For connecting inductive loads in parallel (e.g. contactors), overvoltage damping is necessary.

The 3SB34 00-1H element is not suitable for operation with a parallel load.